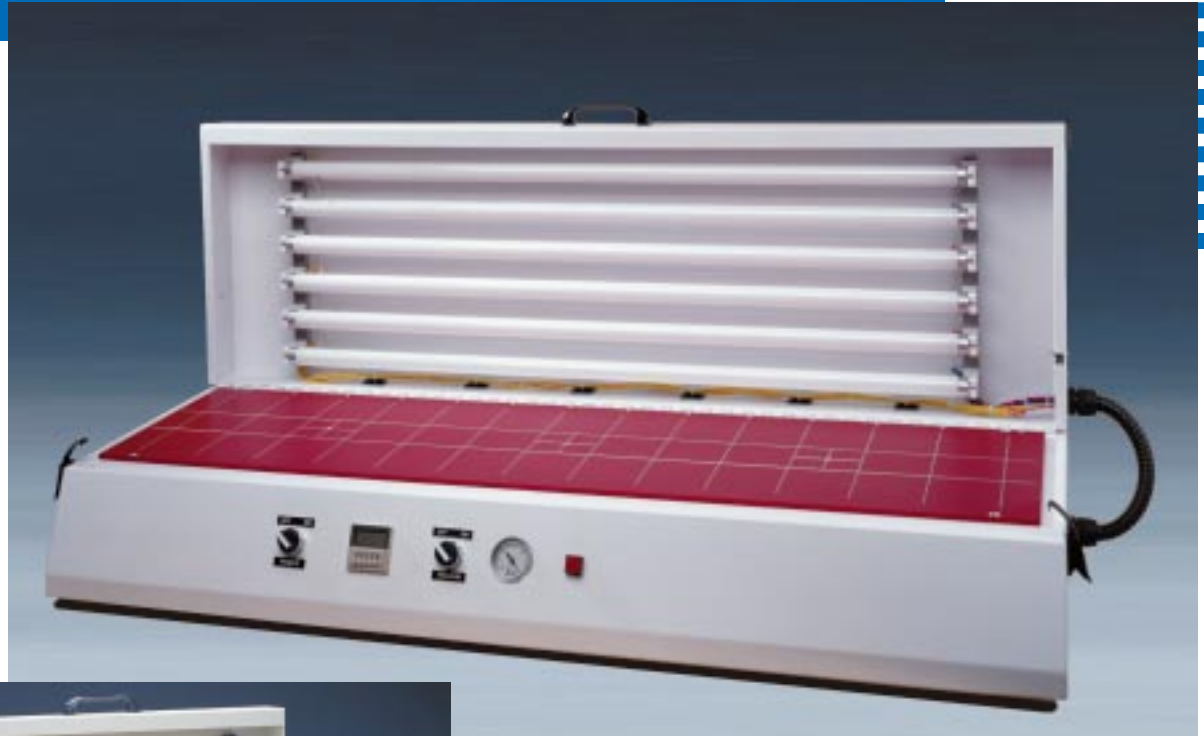




# UVAC SERIES

## Photopolymer Plate Exposure Units



UVAC-900



UVAC-600



- **EASY**  
Simple to operate.
- **ACCURATE**  
Incorporates vacuum hold-down and digital timing for precise results every time.
- **VERSATILE**  
Each unit handles various plate thicknesses and sizes.
- **SELF-CONTAINED**  
All controls and vacuum source are built in.
- **STURDY**  
Quality, long-life components used throughout.
- **SAFE**  
Safety interlock prevents accidental exposure to UV light.
- **RELIABLE**  
Includes two year limited warranty.



# UVAC SERIES

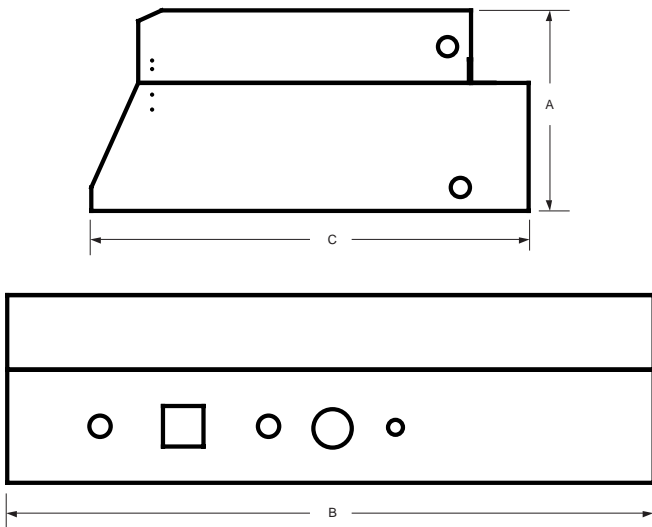
## Photopolymer Plate Exposure Units

Printex proudly offers the UVAC series of high-quality exposure units for photopolymer printing plates. These economical plates are used for short to medium length production runs, and are ideal for situations in which the artwork to be printed changes frequently. The UVAC units are designed for quick, easy production of polymer plates on demand. The UVAC units facilitate complete in-house control of pre-press operations.

The UVAC exposure units feature superior engineering throughout. A reliable vacuum hold-down system is utilized for drawing the film into direct contact with the plate, yielding excellent reproduction of even the finest details. An on-board vacuum gauge provides vacuum status information at a glance. The 11" x 22" working area of the UVAC-600 accommodates most common plate sizes, while the extra large 11" x 34" working area of the UVAC-900 can handle the largest plates for wide-format and multicolor printers, or can be used to expose multiple plates simultaneously. The digital timer produces consistent, accurate exposures.

UVAC units use inexpensive, widely available UV fluorescent lamps, which minimize maintenance costs and light quality changes. Arrays of multiple lamps provide optimum light intensity and distribution over the entire exposure surface. A safety interlock switch prevents accidental exposure to direct UV light if the hood is opened. The vinyl vacuum blanket is durable, but removes easily for replacement if necessary. Latching clamps are provided to secure the light hood for transportation of the unit.

UVAC photopolymer plate exposure units come complete with developing solution, developing brush and contact screens, and are covered by our two year limited warranty.



UVAC-600 Shown  
(schematic diagram for reference only)

### Specifications:

	UVAC-600	UVAC-900
Electrical Supply	110VAC, 2A 50-60Hz	110VAC, 2A 50-60Hz
Weight	57 lb.	62 lb.
A (overall height)	8.70"	9.00"
B (overall width)	28.00"	44.00"
C (overall depth)	19.00"	20.00"
Working Area	11" x 22"	11" x 34"

We reserve the right to make changes to technical specifications without prior notice.



Marking Technologies

Printex, A Division of Pemco Industries, Inc.

12113 Kirkham Road, Poway, CA 92064

Tel: 619-513-2418/800-982-1928 • Fax: 619-513-2419 • [www.printexusa.com](http://www.printexusa.com)